

HAZARD OF ELECTRIC SHOCK, EXPLOSION, OR ARC FLASH
 Disconnect all power before servicing equipment.
 Failure to follow these instructions will result in death or serious injury.

Опасность поражением электрическим током, опасность взрыва или вспышки дуги.
 Перед обслуживанием или ремонтом убедитесь, что питание отключено.
 Несоблюдение этих инструкций приведет к смерти или серьезной травме.

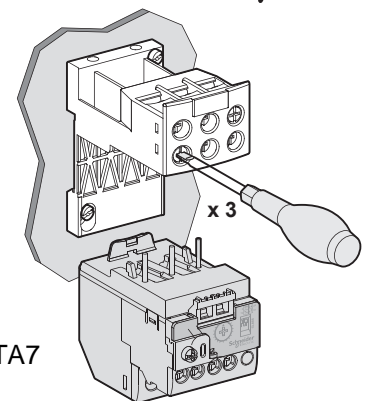
/ Thermal overload relays



TR2-D25322

		3- . . . 50Hz, . . . AC3					BACK UP	
		220V	380V	415V	440V	660V	aM(A)	g1 (A)
()		KW	KW	KW	KW	KW	()	()
TR2-D09301	0.1 to 0.16	-	-	-	-	-	0.25	2
TR2-D09302	0.16 to 0.25	-	-	-	-	-	0.5	2
TR2-D09303	0.25 to 0.4	-	-	-	-	-	1	2
TR2-D09304	0.4 to 0.63	-	-	-	-	0.37	1	2
TR2-D09305	0.63 to 1	-	-	-	-	0.55	2	4
TR2-D09306	1 to 1.6	-	0.37	-	0.55	1.1	2	4
TR2-D093X6	1.25 to 2	-	0.55	0.75	0.75	1.3	4	6
TR2-D09307	1.6 to 2.5	0.37	0.75	1.1	1.1	1.5	4	6
TR2-D09308	2.5 to 4	0.75	1.5	1.5	1.5	3	6	10
TR2-D09310	4 to 6	1.1	2.2	2.2	2.2	4	8	16
TR2-D09312	5.5 to 8	1.5	3	3.7	3.7	5.5	12	20
TR2-D09314	7 to 10	2.2	4	4	4	7.5	12	20
TR2-D12316	9 to 13	3	5.5	5.5	5.5	10	16	25
TR2-D18321	12 to 18	4	7.5	9	9	15	20	35
TR2-D25322	17 to 25	5.5	11	11	11	18.5	25	50
TR2-D32353	23 to 32	7.5	15	15	15	-	40	63
TR2-D32355	28 to 36	9	15	18.5	18.5	-	40	80
TR2-D40355	30 to 40	10	18.5	22	22	30	40	100
TR2-D65357	37 to 50	11	22	25	25	37	63	100
TR2-D65359	48 to 65	18.5	25	30	30	50	63	100
TR2-D65361	55 to 70	20	30	37	37	55	80	125
TR2-D80363	63 to 80	22	33	40	40	59	80	125
TR2-D95365	80 to 93	25	45	49	50	80	100	160

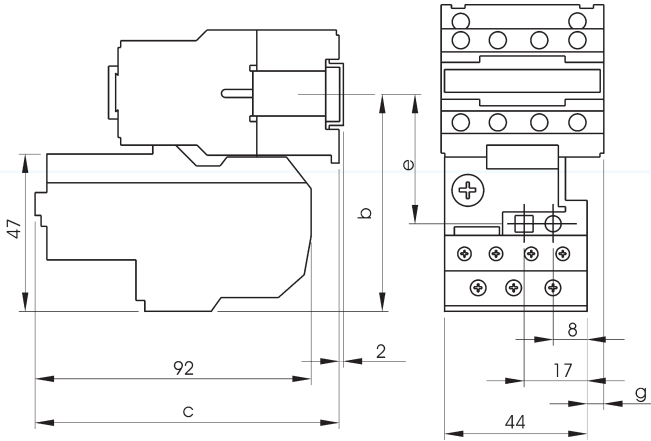
Independent mounting for overload relays



TR2

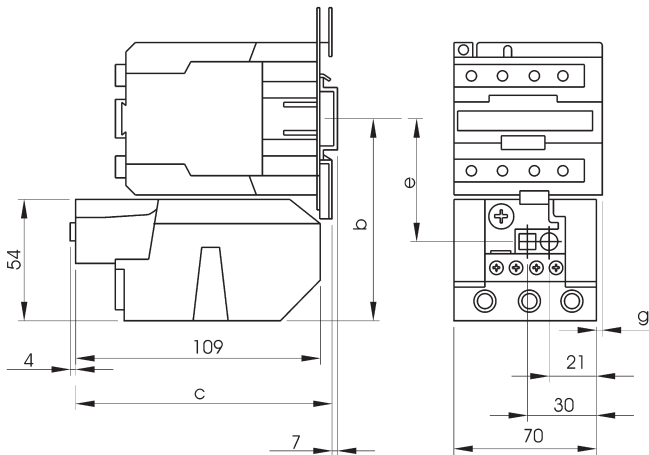
TA7

/ Thermal overload relays

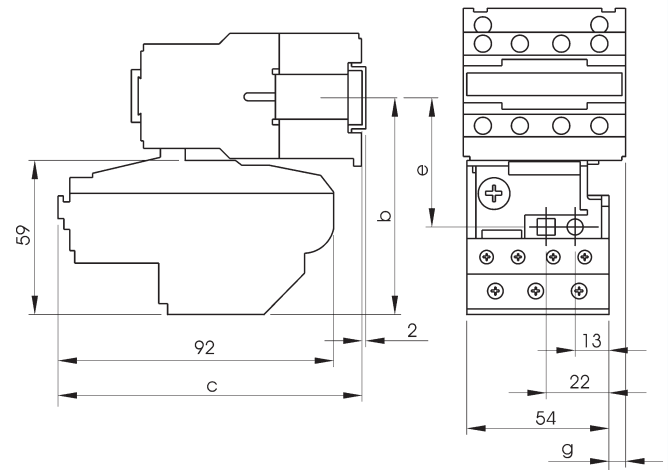


TR2D09301~D25322				
Mounting With	b	c	e	g
TC1D09, D12, D18	81	98	50	0
TP1DC09, DC12				
TC1D25 / TP1DC25	86	108	55	10.7
TC1D32	86	109	55	8.1
TP1D09, D12, D18	81	133	50	0
TP1D25	86	152	55	10.7
TP1D32	86	153	55	8.1

/ Thermal overload relays



TR2D40355~D95365				
Mounting With	b	c	e	g
TC1D40	111	119	72.4	4.5
TC1D50	111	119	72.4	4.5
TC1D65	111	119	72.4	4.5
TC1D80	115.5	123.4	76.9	9.5
TC1D95	115.5	123.4	76.9	9.5
TP1D40	111	176	72.4	4.5
TP1D50	111	176	72.4	4.5
TP1D65	111	176	72.4	4.5
TP1D80	115.5	179.4	76.9	9.5



TR2D32353~32355				
Mounting With	b	c	e	g
TC1D25/TP1DC25	97.5	98	60	1.5
TC1D32	97.5	98	60	0.5
TP1D25	97.5	155	60	1.5
TP1D32	97.5	155	60	0.5